
BuzziFrontDesk

Product Specification Sheet

This document contains technical information about the BuzziFrontDesk



www.buzzi.space



Frontpanel for worktop

This workspace divider safeguards your privacy at work or at home. Hide away your cable clutter and computer screen in an orderly fashion. Easy to install on any workstation.

Design by BuzziSpace Studio


General

 BuzziFrontDesk


Cover: BuzziFelt

 Filling: cardboard + poplar plywood

Fix: Powder coated metal in alu color (RAL 9006), black (RAL 9005) or white (9010)

 Min. W 100 cm D 3,5 cm H 90 cm | W 39.37" D 1.38" H 35.43"
Max. W 180 cm D 3,5 cm H 110 cm | W 70.87" D 1.38" H 43.31"

 Dry use

 Flat Packed
Desk mounted

Extra layer Fabric, Rough, Trevira CS+ | CS, Revive 1, Revive 2, Terra, Clara 2, Remix 2, Hero, Tonus 4, Memory 2, Matrix

... Bicolor (different color front - back)
Round or straight corner
Fix L, L-Plus, XL or XXL

Acoustics



Absorption



Diffusion



Attenuation



Mid tone

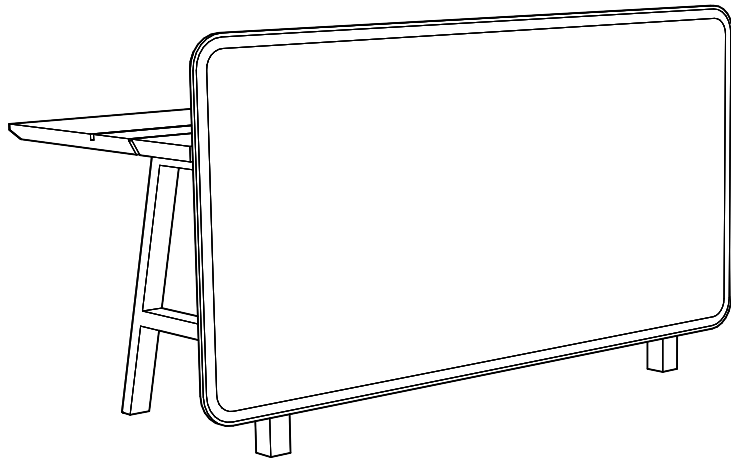


High tone

Content

| | |
|----------------|----|
| Configurations | 3 |
| Components | 4 |
| Fabrics | 5 |
| Dimensions | 9 |
| Acoustics | 11 |

Configurations



🔑 BuzziFrontDesk

Cover: BuzziFelt

🌲 Filling: cardboard + poplar plywood

Fix: Powder coated metal in alu color (RAL 9006), black (RAL 9005) or white (9010)

✂ Min. W 100 cm D 3,5 cm H 90 cm | W 39.37" D 1.38" H 35.43"
Max. W 180 cm D 3,5 cm H 110cm | W 70.87" D 1.38" H 43.31"

Extra layer Fabric, Rough, Trevira CS+ | CS, Revive 1, Revive 2, Terra, Clara 2, Remix 2, Hero, Tonus 4, Memory 2, Matrix

⋮ Bicolor (different color front - back)

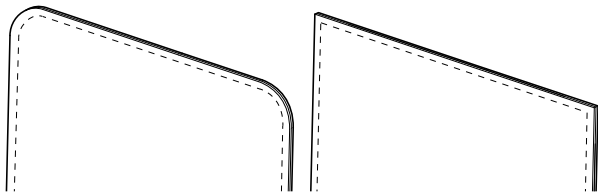
Round or straight corner

Fix L, L-Plus, XL or XXL

Components

Round or straight edges

- Round or straight corner



BuzziFix

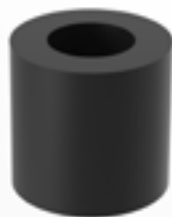


Desk Mounted

Powder coated metal Black (RAL 9005),
White (RAL 9010) or Alu (RAL 9006)

- L: Worktop: 12 > 28 mm 0.47" > 1.10"
- L Plus: Worktop: 28 > 43 mm 1.10" > 1.69"
- XL: Worktop: 28 > 58 mm 1.10" > 2.28"
- XXL: Worktop: 78 mm > 98 mm 3.07" > 3.86"
(XXL applicable for PicNic desk front side)

Distance holder

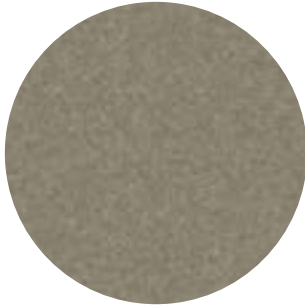


Additional distance holders are included and can be mounted at the front side to provide space for electrical cables etc.

(L 1,5 cm Ø 1,5 | L 0.59" Ø 0.59")

Fabrics

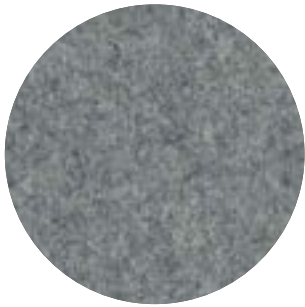
Felt



Composition 100% Recycled PE.T. Felt, latex backing
Weight 1.000 g/m² | 29.49 oz/yd²
Abrasion resistance >7.000 Martindale
Flammability EU: EN 13501.1 + A1/2009 Class B-s1,d0
USA: ASTM E84 Class A certified
Fastness to light USA 5



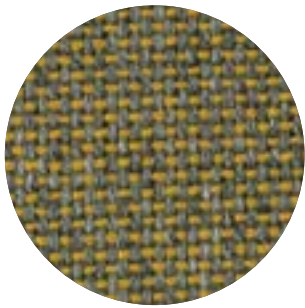
Fabric



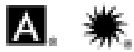
Category A
Composition 70% Recycled Wool, 25% Recycled Polyacryl,
5% Recycled Other Fabrics
Weight 405 g/m² | 11.94 oz/yd²
Abrasion resistance 40.000 Martindale, 50,000 Wyzenbeek
Flammability EU: EN 1021.1/2006 | BS EN 1021.1/2006 (cigarette).
EN 1021.2/2006 | BS EN 1021.2/2006 (match)
USA: CAL TB 117 | ASTM E84 CLASS A
Fastness to light EU: 4 | USA 4
Fastness to rubbing EU: Wet 3-4 | Dry 4-5
Fastness to crocking USA: Wet 5 | Dry 5



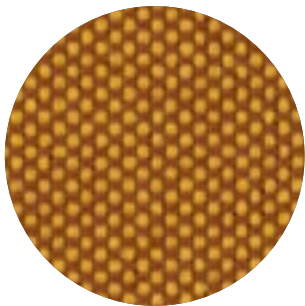
Rough



Category A
Composition 100% Polyacryl
Weight 456 g/m² | 13.45 oz/yd²
Abrasion resistance 40.000 Martindale
Flammability EU: EN 1021.1/2006 | BS EN 1021.1/2006 (cigarette)
USA: CAL TB TB 117
Fastness to light EU: 5
Fastness to rubbing EU: Wet: 3 | Dry: 3



Trevira CS+ | CS

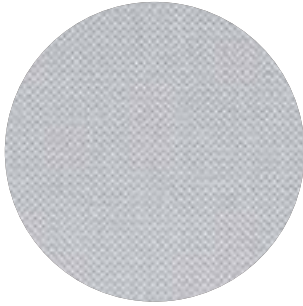


Category A
Weight 420 g/m² | 12.39 oz/yd²
Composition 100% Polyester, Trevira CS
Abrasion resistance 100.000 Martindale, 90,000 Wyzenbeek
Flammability BS 5852 part II: CRIB 5 | BS 7176 Medium Hazard
USA: CAL TB 117 | M1 | B1 | EN 1021/1-2 | C1 |
IMO Res. A652 (16)
Fastness to light EU: 6 | USA 5
Fastness to rubbing EU: Wet 4-5 | Dry 4-5
Fastness to crocking USA: Wet 5 | Dry 5



Revive 1

kvadrat



Category A

Composition 100% recycled polyester FR

Weight 430 g/lin.m

Abrasion resistance 60.000 Martindale rubs, EN ISO 12947

Flammability EN 1021-1/2 | DIN 4102 B1 | Önorm B1/Q1
UNI 9175 1IM | US Cal. Tech. Bull. 117
IMO A.652 (16)

Fastness to light Note 5-7, ISO 105-B02

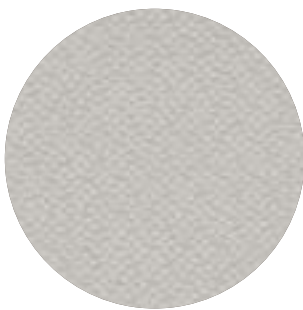
Fastness to rubbing (ISO) dry 5, wet 4-5

Pilling Note 4-5, EN ISO 12945



Revive 2

kvadrat



Category A

Composition 100% recycled polyester FR

Weight 420 g/lin.m

Abrasion resistance 45.000 Martindale rubs, EN ISO 12947

Flammability EN 1021-1/2 | DIN 4102 B1 | Önorm B1/Q1
UNI 9175 1IM | US Cal. Tech. Bull. 117
IMO A.652 (16)

Fastness to light Note 5-7, ISO 105-B02

Fastness to rubbing (ISO) dry 5, wet 4-5

Pilling Note 4-5, EN ISO 12945



Terra



Category B

Composition 100% Pure New Wool

Weight 370 g/m² | 10.91 oz/yd²

Abrasion resistance 40.000 Martindale, 25,000 Wyzenbeek

Flammability EU: BS5852 CRIB 5 | BS5867 PART 2 : 2008 : TYPE B
EN: 1021.2/2006 | USA: CAL TB 117

Fastness to light EU 5 | USA 5

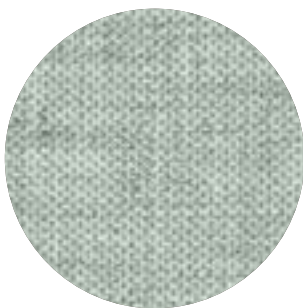
Fastness to rubbing EU: Wet 4 | Dry 4

Fastness to crocking USA: Wet 4 | Dry 4



Clara 2

kvadrat



Category B

Composition 92% new wool, 8% nylon

Weight 400 g/lin.m

Abrasion resistance 80.000 Martindale rubs, EN ISO 12947

Flammability EN 1021-1/2 | BS 5852, ignition source 2-3 | DIN 4102 B2
NF D 60 013 | UNI 9175 1IM | US Cal. Tech. Bull. 117, Sec. E
NFPA 260 | IMO A.652(16)

Fastness to light Note 5-7, ISO 105-B02

Fastness to rubbing (ISO) dry 4-5, wet 4

Pilling Note 4, EN ISO 12945



Remix 2

kvadrat



Category B

Composition 90% new wool, 10% nylon

Weight 415 g/lin.m

Abrasion resistance 100.000 Martindale rubs, EN ISO 12947

Flammability EN 1021-1/2 | BS 5852 part 1

Önorm B1/Q1 | NF D 60 013 | UNI 9175, 1IM

AS/NZS 1530.3 | Cal. Tech. Bull. 117-2013

NFPA 260 | IMO FTP Code 2010:Part 8

Fastness to light Note 5-7, ISO 105-B02

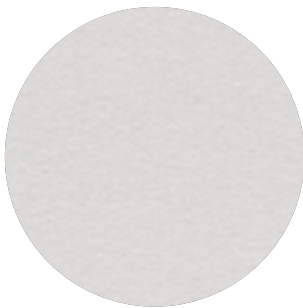
Fastness to rubbing (ISO) dry 4-5, wet 4

Pilling Note 4, EN ISO 12945



Hero

kvadrat



Category C

Composition 96% new wool, 4% nylon

Weight 580 g/lin.m

Abrasion resistance 45.000 Martindale rubs, EN ISO 12947

Flammability EN 1021-1/2 | DIN 4102 B2 | NF D 60 013

UNI 9175 1IM | US Cal. Bull. 117-2013 | NFPA 260

IMO A.652 (16)

Fastness to light Note 5-6, ISO 105-B02

Fastness to rubbing (ISO) dry 4-5, wet 4-5

Pilling Note 3-4, EN ISO 12945



Tonus 4

kvadrat



Category D

Composition 90% new wool, 10% Helanca

Weight 665 g/lin.m

Abrasion resistance 100.000 Martindale rubs, EN ISO 12947

Flammability EN 1021-1/2 | BS 5852 part 1 | DIN 4102 B2

Önorm B1/Q1 | NF D 60 013 | UNI 9175 1IM

US Cal. Bull. 117-2013 | NFPA 260 | IMO A.652 (16)

Fastness to light Note 5-7, ISO 105-B02

Fastness to rubbing (ISO) dry 3-5, wet 3-5

Pilling Note 3, EN ISO 12945



Memory 2

kvadrat



Category E

Composition 100% Trevira CS

Weight 700 g/lin.m

Abrasion resistance

35.000 rubs acc. to the Martindale method, EN ISO 12947

Flammability EN 1021-1/2 | DIN 4102 B1 | Önorm B1/Q1
NF D 60 013 | NF P 92 507 M1 | UNI 9175 11M
UNI 9177 classe 1 | US Cal. Tech. Bull. 117
IMO A.652 (16)

Fastness to light Note 5-8, ISO 105-B02

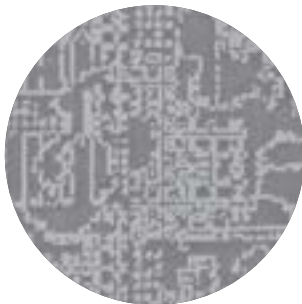
Fastness to rubbing (ISO) dry 4-5, wet 4-5

Pilling Note 4, EN ISO 12945



Matrix

kvadrat



Category F

Composition 100% Trevira CS

Weight 760 g/lin.m

Abrasion resistance

App. 60.000 rubs acc. to the Martindale method, EN ISO 12947

Flammability EN 1021-1/2 | BS 5852 crib 5 | BS 5867 part 2 type B
DIN 4102 B1 | Önorm B1/Q1 | NF D 60 013
UNI 9175 11M | US Cal. Tech. Bull. 117 | NFPA 701
IMO A.652 (16)

Fastness to light Note 5-7, ISO 105-B02

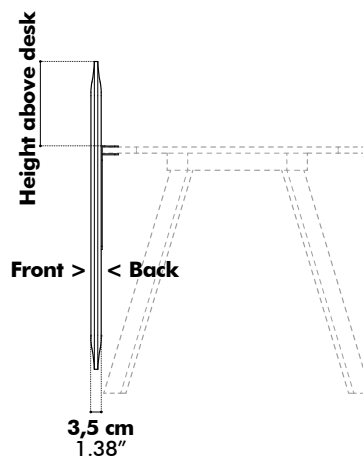
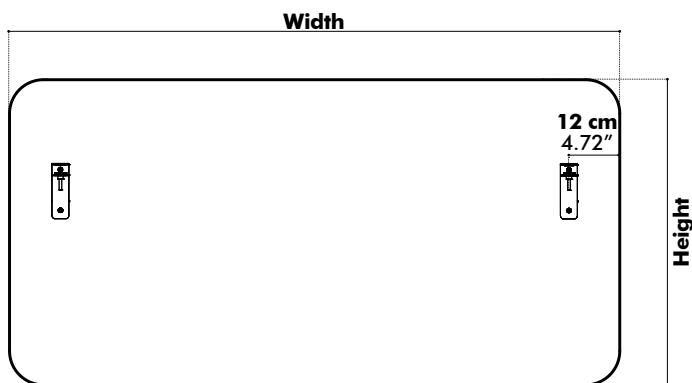
Fastness to rubbing (ISO) dry 4-5, wet 4-5

Pilling Note 4, EN ISO 12945



Dimensions

Panel



Height above Desk

Width

Weight

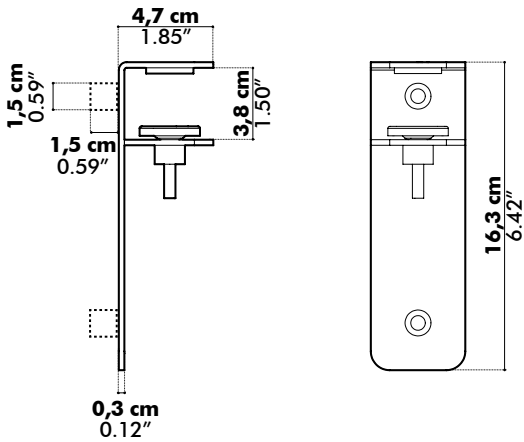
Total height

| Height above Desk | | Width | Weight |
|-----------------------|-----------|-----------------|--------------------|
| 25 cm 9.84" | XS | 100 cm 39.37" | 3,4 kg 7.5 lbs |
| 90 cm 35.43" | S | 120 cm 47.24" | 4,1 kg 9.04 lbs |
| | M | 140 cm 55.12" | 4,8 kg 10.58 lbs |
| | L | 160 cm 62.99" | 5,5 kg 12.13 lbs |
| | XL | 180 cm 70.87" | 6,2 kg 13.67 lbs |
| 35 cm 13.78" | XS | 100 cm 39.37" | 3,8 kg 8.38 lbs |
| 100 cm 39.37" | S | 120 cm 47.24" | 4,6 kg 10.14 lbs |
| | M | 140 cm 55.12" | 5,4 kg 11.90 lbs |
| | L | 160 cm 62.99" | 6,1 kg 13.45 lbs |
| | XL | 180 cm 70.87" | 6,9 kg 15.21 lbs |
| 45 cm 17.72" | XS | 100 cm 39.37" | 4,2 kg 9.26 lbs |
| 110 cm 43.30" | S | 120 cm 47.24" | 5,1 kg 11.24 lbs |
| | M | 140 cm 55.12" | 5,9 kg 13.01 lbs |
| | L | 160 cm 62.99" | 6,7 kg 14.77 lbs |
| | XL | 180 cm 70.87" | 7,6 kg 16.76 lbs |

Fixes

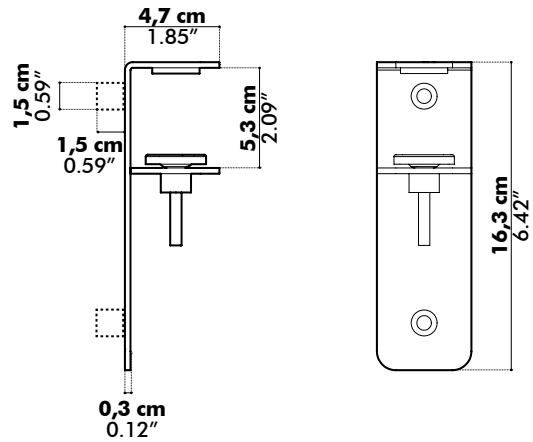
Fix L

Worktop: 12 > 28 mm | 0.47" > 1.10"



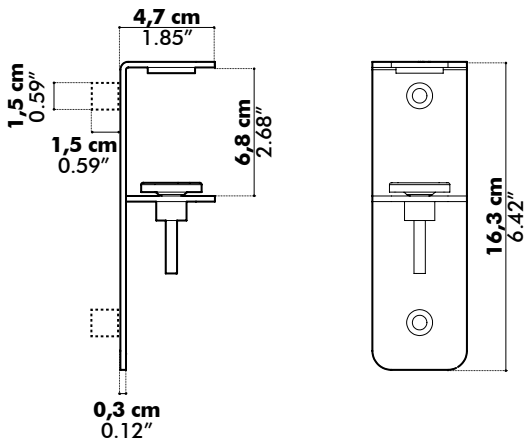
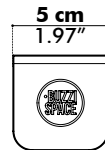
Fix L Plus

Worktop: 28 > 43 mm | 1.10" > 1.69"



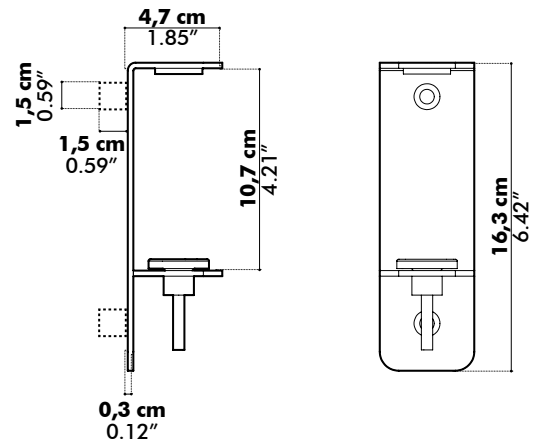
Fix XL

Worktop: 28 > 58 mm | 1.10" > 2.28"



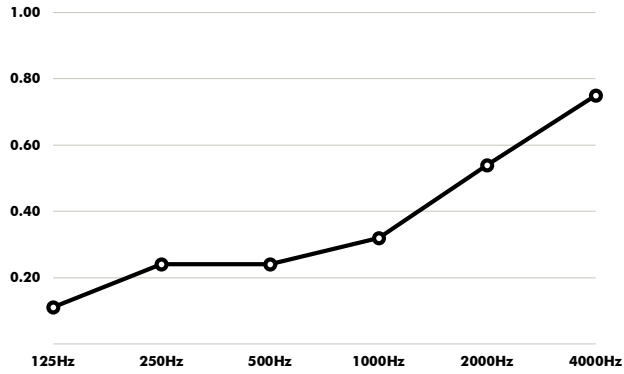
Fix XXL

Worktop: 78 mm > 98 mm | 3.07" > 3.86"



Acoustics

Equivalent sound absorption area in m² per object



| Hz | Aeq/m ² |
|------|--------------------|
| 125 | 0.11 |
| 250 | 0.24 |
| 500 | 0.24 |
| 1000 | 0.32 |
| 2000 | 0.54 |
| 4000 | 0.75 |